



NEW HOLLAND

LM732



PERFORMANCE		LM732
Maximum lift capacity (at 600 mm from fork heel)	kg	3200
Maximum lift height	m	7.13
Lift capacity at maximum reach	kg	900
Lift capacity at maximum lift height	kg	2000
Reach fully raised	m	0.94
Maximum forward reach	m	4.10
Height with max load (3200 kg)	m	5.90
Operating weight	kg	7200

ENGINE	
Make CNH and model	4TAA
Type	Turbo/Aftercooler
Total displacement	ltr 4.5
Net flywheel power (ISO 14396)	kW/hp 74/99
Max torque	Nm 430@1250 rpm

TRANSMISSION	
Type	PowerShift
Forward/Reverse speeds	4/3
Max speed on road**	Km/h 40

** Max. speed limited according to the country's legislations

HYDRAULIC SYSTEM	
Type	Load Sensing
Hydraulic controls	Servo
Simultaneous movement	yes
Hydraulic pump	gear
Hydraulic flow	l/min 130
Hydraulic pressure	bar 240

CAPACITIES	
Fuel tank	ltr 143
Hydraulic tank	ltr 110

TYRES	
405/70x24	MITAS
400/80x24	DUNLOP
15.5R25	MICHELIN

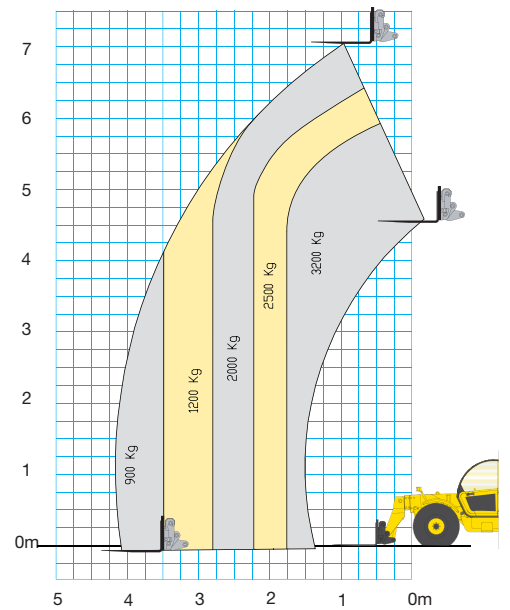
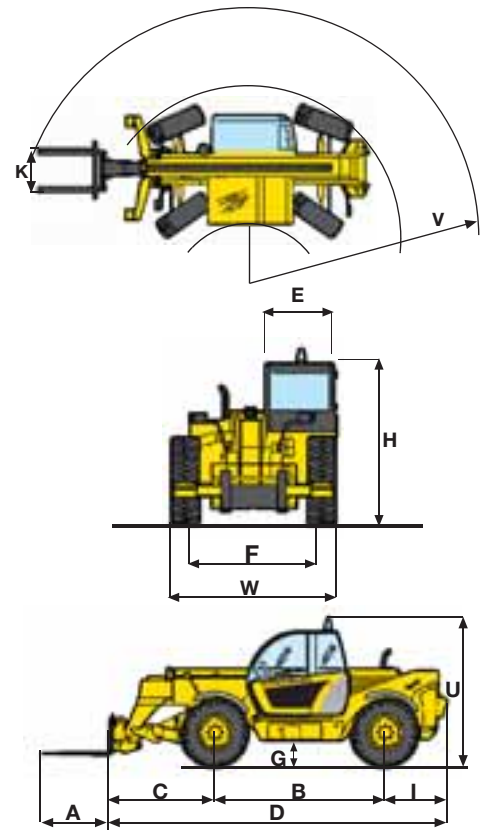


BUILT AROUND YOU



LM732 TURBO

DIMENSIONS	A	B	C	D	E	F	G
With MITAS 405/70x24	1200	3010	1365	5125	1000	1875	420
	H	I	K	U	V	W	
	2400	750	1260	2470	3400	2340	



AT YOUR OWN DEALERSHIP

The information contained in this brochure is intended to be a general nature only. The NEW HOLLAND KOBELCO CONSTRUCTION MACHINERY S.p.A. company may at any time and from time to time, for technical or other necessary reasons, modify any of the details or specifications of the product described in this brochure. Illustrations do not necessarily show products in standard conditions. The dimensions, weights and capacities shown herein, as well as any conversion data used, are approximate only and are subject to variations within normal manufacturing techniques.

Published by NEW HOLLAND KOBELCO CONSTRUCTION MACHINERY S.p.A.
Printed in Italy - LEADER Firenze - Cod. 73301 411GB - Printed 07/08

Printed on recycled paper
CoC-FSC 000010 CQ Mixed sources



www.newholland.com